



MADE BY HAND

DATASHEET

KNIT-WIT SERIES

KNIT-WIT

SERIES



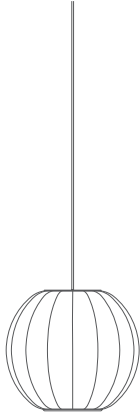
Various Floor Models, Sunrise

DETAILS



KW60 Pendant, Heather Green

KNIT-WIT SERIES



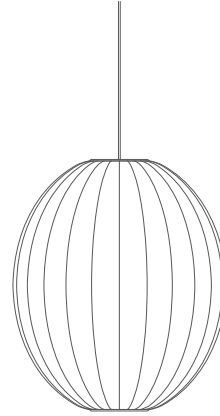
KW45

Ø 450 mm
H 420 mm



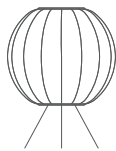
KW60

Ø 600 mm
H 560 mm



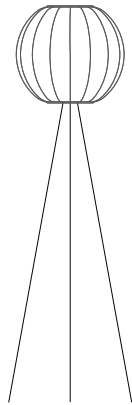
KWH65

Ø 650 mm
H 860 mm



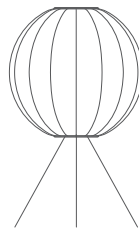
**KW45
FLOOR LOW**

Ø 450 mm
H 580 mm



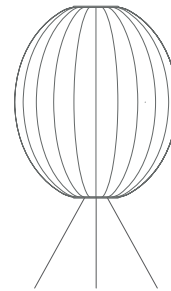
**KW45
FLOOR HIGH**

Ø 450 mm
H 1600 mm



**KW60
FLOOR MEDIUM**

Ø 600 mm
H 1000 mm



**KWH65
FLOOR MEDIUM**

Ø 650 mm
H 1300 mm

Knit-Wit Floor: Configuration examples - more available

KNIT-WIT / KW45 PENDANT



The Knit-Wit lamp is designed by Danish design studio ISKOS-BERLIN. Though knitting is an old craft, it hasn't yet been exploited for modern design lamps, and this was the fundamental aspiration for Made By Hand. The knitted materiality of the Knit-Wit lamp distributes light through the yarn's pattern, making each lamp distinctive and decorative. The Knit-Wit family of lamps with their basic shape, warmth and lightness, range of sizes and wide color palette can easily and naturally find their place in any interior – from private houses to public spaces.

Design: ISKOS-BERLIN

Year: 2017

Rings: Aluminium

Yarn: Flame retardent polyester

Shade colours



Silver

Burgundy

Light
Pink

Heather
Green

Sunrise

Measurements

Shade height: 410 mm

Shade diameter: 450 mm

Cord length: 3000 mm

Certifications

CE-Certified

IP20

Recommended Lightsource

Socket: E27

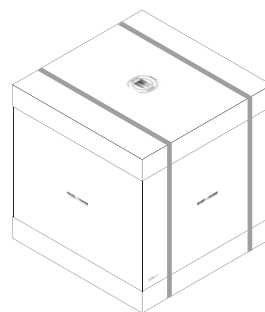
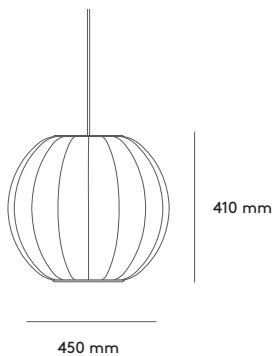
Max wattage: 60 W

Packaging Measurements

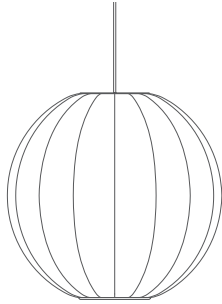
L: 510 x W: 470 x H: 475 mm

Weight (lamp + packaging = total)

Total: 2,50 kg



KNIT-WIT / KW60 PENDANT



The Knit-Wit lamp is designed by Danish design studio ISKOS-BERLIN. Though knitting is an old craft, it hasn't yet been exploited for modern design lamps, and this was the fundamental aspiration for Made By Hand. The knitted materiality of the Knit-Wit lamp distributes light through the yarn's pattern, making each lamp distinctive and decorative. The Knit-Wit family of lamps with their basic shape, warmth and lightness, range of sizes and wide color palette can easily and naturally find their place in any interior – from private houses to public spaces.

Design: ISKOS-BERLIN

Year: 2017

Rings: Aluminium

Yarn: Flame retardent polyester

Shade colours



Silver

Burgundy

Light
Pink

Heather
Green

Sunrise

Measurements

Shade height: 560 mm

Shade diameter: 600 mm

Cord length: 3000 mm

Certifications

CE-Certified

IP20

Recommended Lightsource

Socket: E27

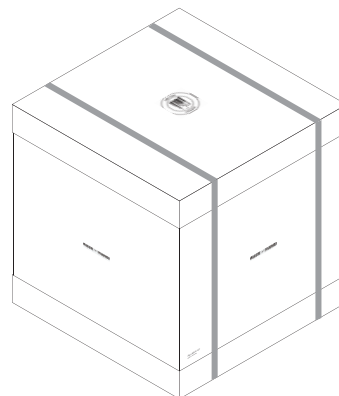
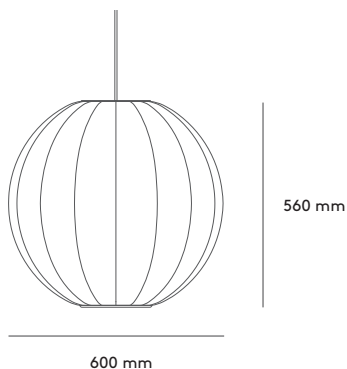
Max wattage: 60 W

Packaging Measurements

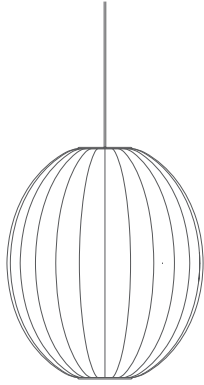
L: 635 x W: 590 x H: 630 mm

Weight (lamp + packaging = total)

Total: 3,50 kg



KNIT-WIT / KWH65 PENDANT



The Knit-Wit lamp is designed by Danish design studio ISKOS-BERLIN. Though knitting is an old craft, it hasn't yet been exploited for modern design lamps, and this was the fundamental aspiration for Made By Hand. The knitted materiality of the Knit-Wit lamp distributes light through the yarn's pattern, making each lamp distinctive and decorative. The Knit-Wit family of lamps with their basic shape, warmth and lightness, range of sizes and wide color palette can easily and naturally find their place in any interior – from private houses to public spaces.

Design: ISKOS-BERLIN

Year: 2017

Rings: Aluminium

Legs: Steel

Yarn: Flame retardent polyester

Shade colours



Silver

Burgundy

Light
Pink

Heather
Green

Sunrise

Measurements

Shade height: 860 mm

Shade diameter: 650 mm

Cord length: 3000 mm

Certifications

CE-Certified

IP20

Recommended Lightsource

Socket: E27

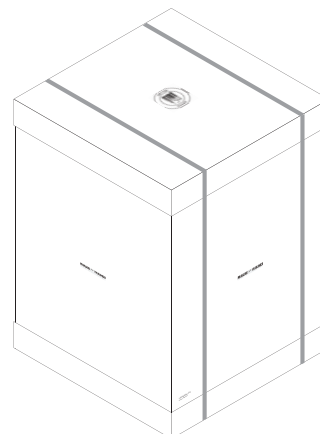
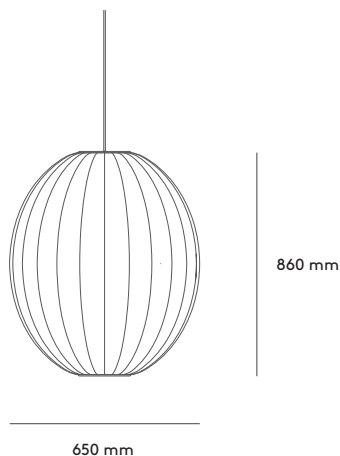
Max wattage: 60 W

Packaging Measurements

L: 705 x W: 680 x H: 910 mm

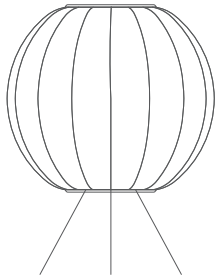
Weight (lamp + packaging = total)

Total: 4,55 kg



KNIT-WIT / KW45 FLO

LOW FLOOR



The Knit-Wit lamp is designed by Danish design studio ISKOS-BERLIN. Though knitting is an old craft, it hasn't yet been exploited for modern design lamps, and this was the fundamental aspiration for Made By Hand. The knitted materiality of the Knit-Wit lamp distributes light through the yarn's pattern, making each lamp distinctive and decorative. The Knit-Wit family of lamps with their basic shape, warmth and lightness, range of sizes and wide color palette can easily and naturally find their place in any interior – from private houses to public spaces.

Design: ISKOS-BERLIN

Year: 2017

Rings: Aluminium

Legs: Steel

Yarn: Flame retardent polyester

Shade colours



Silver

Burgundy

Light
Pink

Heather
Green

Sunrise

Measurements

Shade height: 410 mm

Shade diameter: 450 mm

Total height: 580 mm

Cord length: 3000 mm

Certifications

CE-Certified

IP20

Recommended Lightsource

Socket: E27

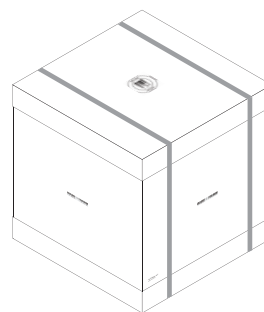
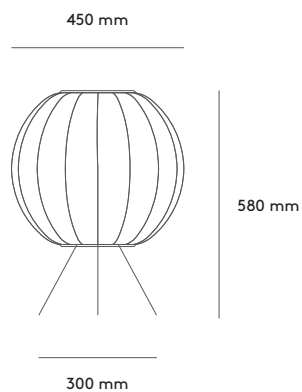
Max wattage: 60 W

Packaging Measurements

L: 510 x W: 470 x H: 475 mm

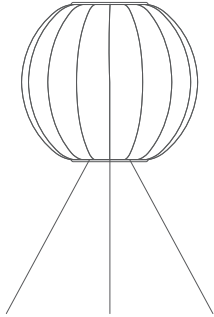
Weight (lamp + packaging = total)

Total: 2,80 kg



KNIT-WIT / KW45 FME

MEDIUM FLOOR



The Knit-Wit lamp is designed by Danish design studio ISKOS-BERLIN. Though knitting is an old craft, it hasn't yet been exploited for modern design lamps, and this was the fundamental aspiration for Made By Hand. The knitted materiality of the Knit-Wit lamp distributes light through the yarn's pattern, making each lamp distinctive and decorative. The Knit-Wit family of lamps with their basic shape, warmth and lightness, range of sizes and wide color palette can easily and naturally find their place in any interior – from private houses to public spaces.

Design: ISKOS-BERLIN

Year: 2017

Rings: Aluminium

Legs: Steel

Yarn: Flame retardent polyester

Shade colours



Silver



Burgundy



Light
Pink



Heather
Green



Sunrise

Measurements

Shade height: 410 mm

Shade diameter: 450 mm

Total height: 850 mm

Cord length: 3000 mm

Certifications

CE-Certified

IP20

Recommended Lightsource

Socket: E27

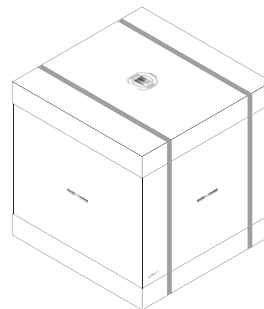
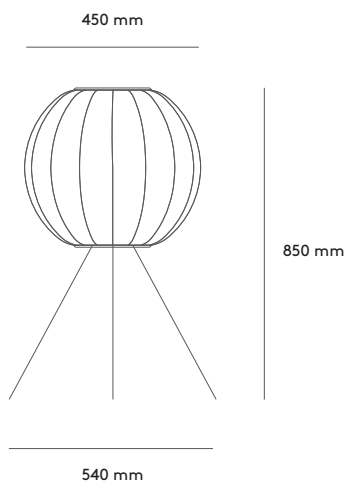
Max wattage: 60 W

Packaging Measurements

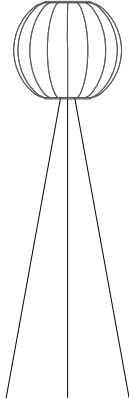
L: 510 x W: 470 x H: 475 mm

Weight (lamp + packaging = total)

Total: 2,90 kg



KNIT-WIT / KW45 FHI HIGH FLOOR



The Knit-Wit lamp is designed by Danish design studio ISKOS-BERLIN. Though knitting is an old craft, it hasn't yet been exploited for modern design lamps, and this was the fundamental aspiration for Made By Hand. The knitted materiality of the Knit-Wit lamp distributes light through the yarn's pattern, making each lamp distinctive and decorative. The Knit-Wit family of lamps with their basic shape, warmth and lightness, range of sizes and wide color palette can easily and naturally find their place in any interior – from private houses to public spaces.

Design: ISKOS-BERLIN

Year: 2017

Rings: Aluminium

Legs: Steel

Yarn: Flame retardent polyester

Shade colours



Silver

Burgundy

Light
Pink

Heather
Green

Sunrise

Measurements

Shade height: 410 mm

Shade diameter: 450 mm

Total Height: 1600 mm

Cord length: 3000 mm

Certifications

CE-Certified

IP20

Recommended Lightsource

Socket: E27

Max wattage: 60 W

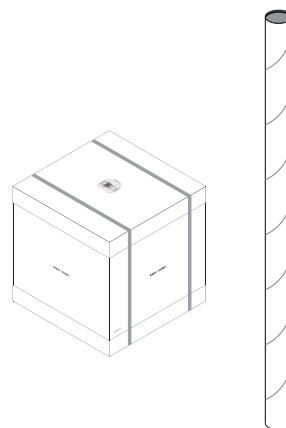
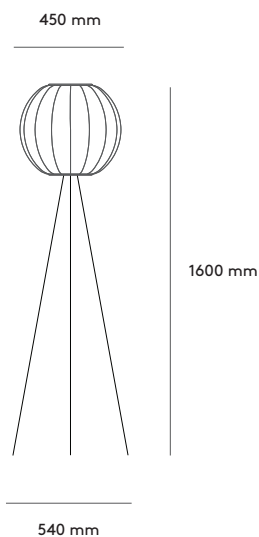
Packaging Measurements

#1 L: 510 x W: 470 x H: 475 mm

#2 L: 1370 x Ø95 mm

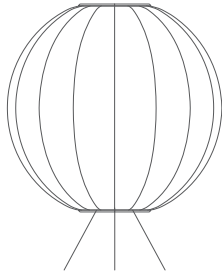
Weight (lamp + packaging = total)

Total: 4,30 kg



KNIT-WIT / KW60 FLO

LOW FLOOR



The Knit-Wit lamp is designed by Danish design studio ISKOS-BERLIN. Though knitting is an old craft, it hasn't yet been exploited for modern design lamps, and this was the fundamental aspiration for Made By Hand. The knitted materiality of the Knit-Wit lamp distributes light through the yarn's pattern, making each lamp distinctive and decorative. The Knit-Wit family of lamps with their basic shape, warmth and lightness, range of sizes and wide color palette can easily and naturally find their place in any interior – from private houses to public spaces.

Design: ISKOS-BERLIN

Year: 2017

Rings: Aluminium

Legs: Steel

Yarn: Flame retardent polyester

Shade colours



Silver

Burgundy

Light
Pink

Heather
Green

Sunrise

Measurements

Shade height: 560 mm

Shade diameter: 600 mm

Total Height: 750 mm

Cord length: 3000 mm

Certifications

CE-Certified

IP20

Recommended Lightsource

Socket: E27

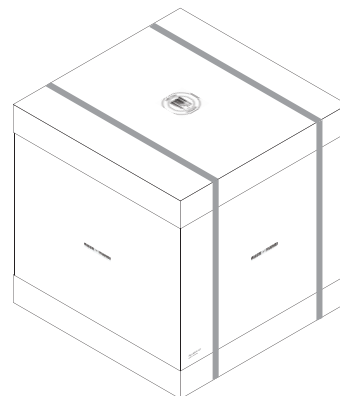
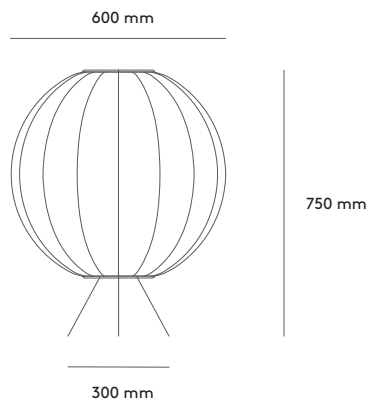
Max wattage: 60 W

Packaging Measurements

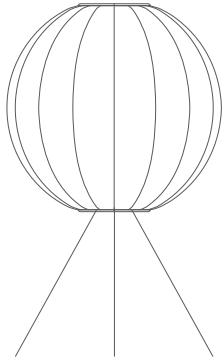
L: 635 x W: 590 x H: 630 mm

Weight (lamp + packaging = total)

Total: 3,80 kg



KNIT-WIT / KW60 FME MEDIUM FLOOR



The Knit-Wit lamp is designed by Danish design studio ISKOS-BERLIN. Though knitting is an old craft, it hasn't yet been exploited for modern design lamps, and this was the fundamental aspiration for Made By Hand. The knitted materiality of the Knit-Wit lamp distributes light through the yarn's pattern, making each lamp distinctive and decorative. The Knit-Wit family of lamps with their basic shape, warmth and lightness, range of sizes and wide color palette can easily and naturally find their place in any interior – from private houses to public spaces.

Design: ISKOS-BERLIN

Year: 2017

Rings: Aluminium

Legs: Steel

Yarn: Flame retardent polyester

Shade colours



Silver

Burgundy

Light
Pink

Heather
Green

Sunrise

Measurements

Shade height: 560 mm

Shade diameter: 600 mm

Total Height: 1000 mm

Cord length: 3000 mm

Certifications

CE-Certified

IP20

Recommended Lightsource

Socket: E27

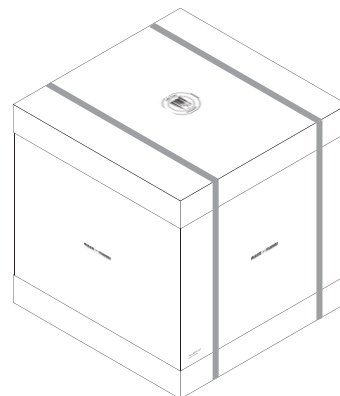
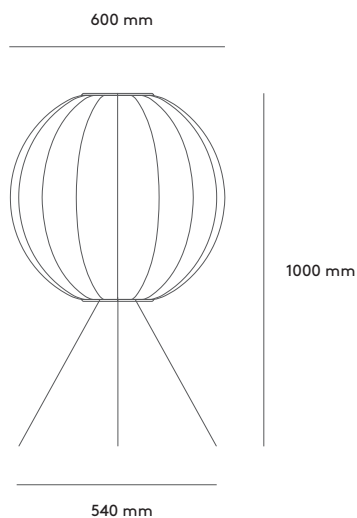
Max wattage: 60 W

Packaging Measurements

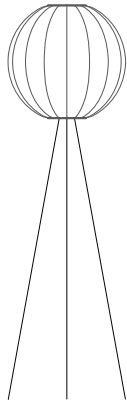
L: 635 x W: 590 x H: 630 mm

Weight (lamp + packaging = total)

Total: 3,90 kg



KNIT-WIT / KW60 FHI HIGH FLOOR



The Knit-Wit lamp is designed by Danish design studio ISKOS-BERLIN. Though knitting is an old craft, it hasn't yet been exploited for modern design lamps, and this was the fundamental aspiration for Made By Hand. The knitted materiality of the Knit-Wit lamp distributes light through the yarn's pattern, making each lamp distinctive and decorative. The Knit-Wit family of lamps with their basic shape, warmth and lightness, range of sizes and wide color palette can easily and naturally find their place in any interior – from private houses to public spaces.

Design: ISKOS-BERLIN

Year: 2017

Rings: Aluminium

Legs: Steel

Yarn: Flame retardent polyester

Shade colours



Silver



Burgundy



Light
Pink



Heather
Green



Sunrise

Measurements

Shade height: 560 mm

Shade diameter: 600 mm

Total Height: 1750 mm

Cord length: 3000 mm

Certifications

CE-Certified

IP20

Recommended Lightsource

Socket: E27

Max wattage: 60 W

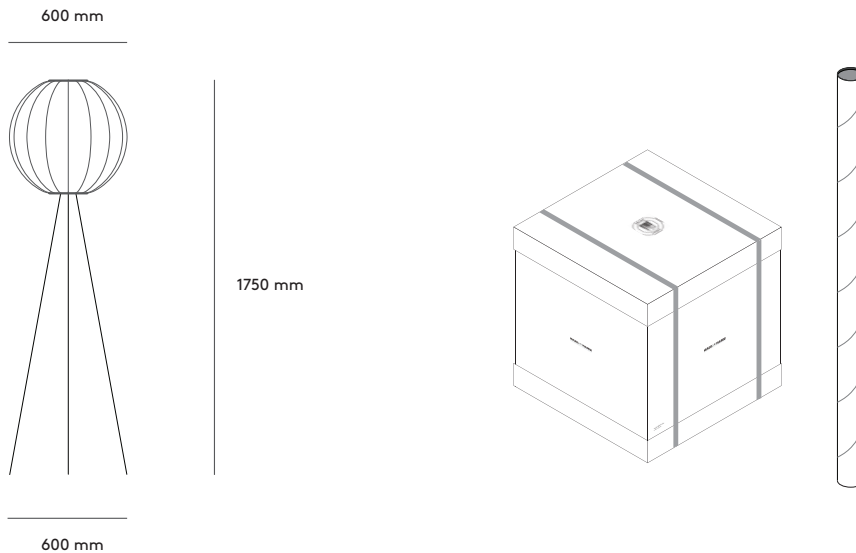
Packaging Measurements

#1 L: 635 x W: 590 x H: 630 mm

#2 L: 1370 x Ø95 mm

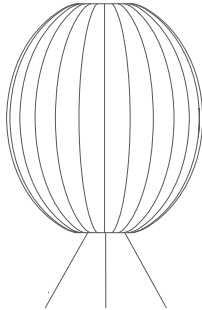
Weight (lamp + packaging = total)

Total: 5,30 kg



KNIT-WIT / KWH65 FLO

LOW FLOOR



The Knit-Wit lamp is designed by Danish design studio ISKOS-BERLIN. Though knitting is an old craft, it hasn't yet been exploited for modern design lamps, and this was the fundamental aspiration for Made By Hand. The knitted materiality of the Knit-Wit lamp distributes light through the yarn's pattern, making each lamp distinctive and decorative. The Knit-Wit family of lamps with their basic shape, warmth and lightness, range of sizes and wide color palette can easily and naturally find their place in any interior – from private houses to public spaces.

Design: ISKOS-BERLIN

Year: 2017

Rings: Aluminium

Legs: Steel

Yarn: Flame retardent polyester

Shade colours



Silver



Burgundy



Light
Pink



Heather
Green



Sunrise

Measurements

Shade height: 820 mm

Shade diameter: 650 mm

Total Height: 1050 mm

Cord length: 3000 mm

Certifications

CE-Certified

IP20

Recommended Lightsource

Socket: E27

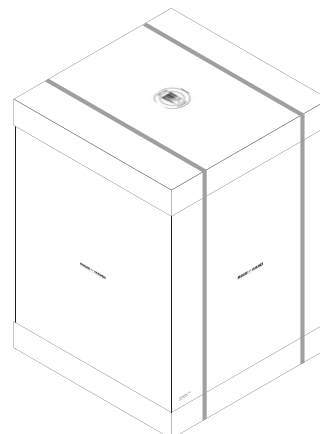
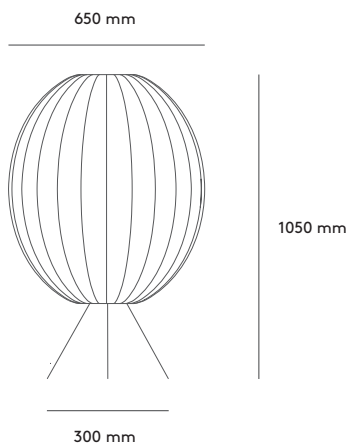
Max wattage: 60 W

Packaging Measurements

L: 705 x W: 680 x H: 910 mm

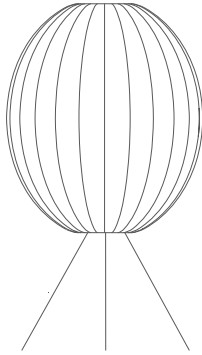
Weight (lamp + packaging = total)

Total: 4,75 kg



KNIT-WIT / KWH65 FME

MEDIUM FLOOR



The Knit-Wit lamp is designed by Danish design studio ISKOS-BERLIN. Though knitting is an old craft, it hasn't yet been exploited for modern design lamps, and this was the fundamental aspiration for Made By Hand. The knitted materiality of the Knit-Wit lamp distributes light through the yarn's pattern, making each lamp distinctive and decorative. The Knit-Wit family of lamps with their basic shape, warmth and lightness, range of sizes and wide color palette can easily and naturally find their place in any interior – from private houses to public spaces.

Design: ISKOS-BERLIN

Year: 2017

Rings: Aluminium

Legs: Steel

Yarn: Flame retardent polyester

Shade colours



Silver



Burgundy



Light
Pink



Heather
Green



Sunrise

Measurements

Shade height: 820 mm

Shade diameter: 650 mm

Total Height: 1300 mm

Cord length: 3000 mm

Certifications

CE-Certified

IP20

Recommended Lightsource

Socket: E27

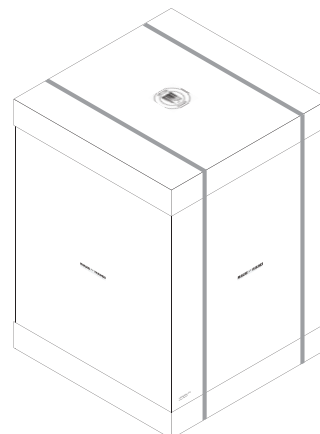
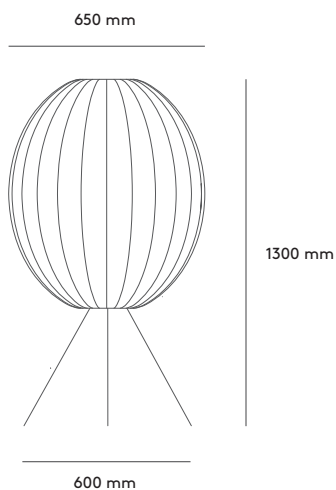
Max wattage: 60 W

Packaging Measurements

L: 705 x W: 680 x H: 910 mm

Weight (lamp + packaging = total)

Total: 4,92 kg



MADE BY HAND

GET IN TOUCH

MADE by HAND ApS
Tømmergravsgade 4B
2450 Copenhagen SV
Denmark

info@madebyhand.dk
+45 70 20 84 64

LATEST NEWS

More at
www.madebyhand.dk

