

2018



VALID FEBRUARY 1ST

MADE BY HAND

DATASHEET

PETITE MACHINE SERIES

PETITE MACHINE SERIES



PETITE MACHINE
SERIES

CEILING 01



CEILING 02

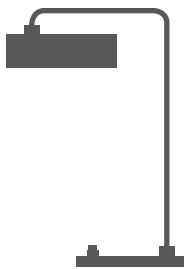
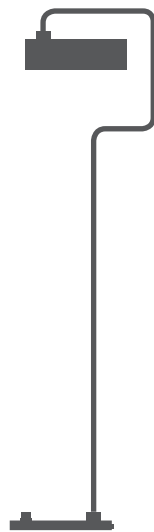


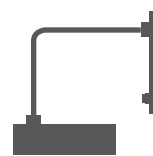
TABLE 01



FLOOR 01



WALL 01



WALL 02



WALL 03

COLOURS



MOSS GREEN



SLATE



DEEP BLACK



OYSTER WHITE



LIGHT PINK



POLISHED BRASS

INSPIRATION



Ceiling 01, Slate



Table 01, Moss Green and Slate



Floor 01, Oyster White

DETAILS



Shade - Finger Bolt and Diffuser

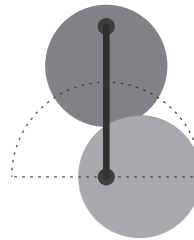


Base - On/Off Button

PETITE MACHINE / TABLE 01

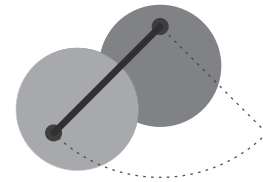


Topview



The shade turns 180 degrees

Topview



The pipe turns 90 degrees

The Petite Machine series is a family of table, floor, wall and ceiling lamps. They are suitable for decorating all kinds of rooms and meet all lighting needs. The Petite Machine collection is manufactured by Made By Hand in a small workshop in Denmark, with the utmost attention to detailing and finish.

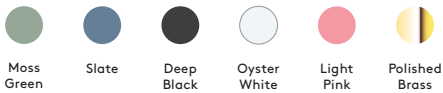
Design: Flemming Lindholdt Madsen

Year: 2014

Material: Steel, brass and grooved glass

Made in Denmark

Shade and base colours



Measurements

Total height: 540 mm

Shade height: 60 mm

Base height: 23 mm

Total width: 330 mm

Shade diameter: 207 mm

Base diameter: 211 mm

Cord length: 1800 mm

Functions

Lamp shade turns 180 degrees

Pipe turns 90 degrees

Certifications

CE-Certified

IP20

Recommended Lightsource:

Osram Parathom Retro CL P 4,5W/827

Socket: E14

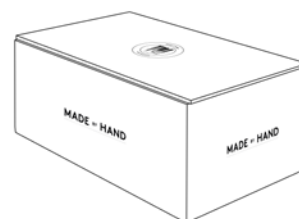
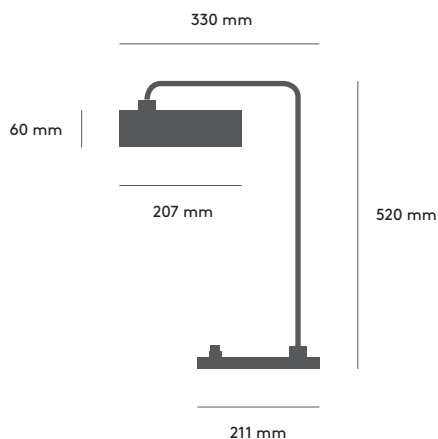
Max wattage: 60 W

Packaging Measurements

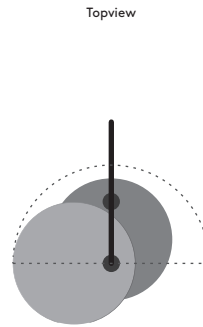
L: 300 x W: 390 x H: 570 mm

Packaging Weight (Lamp + Packaging = total)

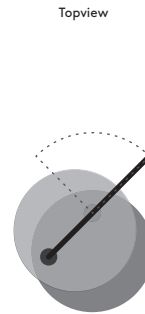
Total: 5,70 kg



PETITE MACHINE / FLOOR 01



The shade turns 180 degrees



The pipe turns 90 degrees

The Petite Machine series is a family of table, floor, wall and ceiling lamps. They are suitable for decorating all kinds of rooms and meet all lighting needs. The Petite Machine collection is manufactured by Made By Hand in a small workshop in Denmark, with the utmost attention to detailing and finish.

Design: Flemming Lindholdt Madsen

Year: 2014

Material: Steel, brass and grooved glass

Made in Denmark

Shade and base colours



Measurements

Total height: 1080 mm

Shade height: 60 mm

Base height: 23 mm

Total width: 315 mm

Shade diameter: 207 mm

Base diameter: 211 mm

Cord length: 1800 mm

Functions

Lamp shade turns 180 degrees

Pipe turns 90 degrees

Certifications

CE-Certified

IP20

Recommended Lightsource:

Osram Parathom Retro CL P 4,5W/827

Socket: E14

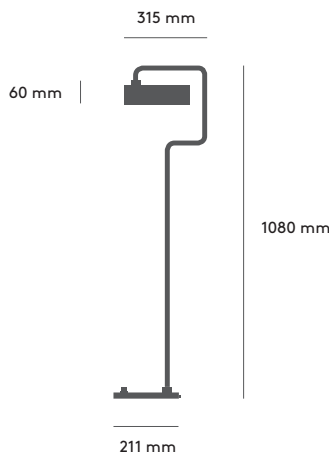
Max wattage: 60 W

Packaging Measurements

L: 290 x W: 380 x H: 1120 mm

Packaging Weight (Lamp + Packaging = total)

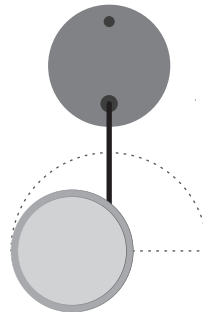
Total: 6,70 kg



PETITE MACHINE / WALL 01



Frontview



The shade turns 180 degrees

The Petite Machine series is a family of table, floor, wall and ceiling lamps. They are suitable for decorating all kinds of rooms and meet all lighting needs. The Petite Machine collection is manufactured by Made By Hand in a small workshop in Denmark, with the utmost attention to detailing and finish.

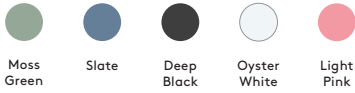
Design: Flemming Lindholdt Madsen

Year: 2014

Material: Steel, brass and grooved glass

Made in Denmark

Shade and base colours



Measurements

Total height: 590 mm

Shade height: 60 mm

Base height: 23 mm

Total width: 220 mm

Shade diameter: 207 mm

Base diameter: 211 mm

Cord length: 1800 mm

Functions

Lamp shade turns 180 degrees

Pipe fixed in base

Certifications

CE-Certified

IP20

Recommended Lightsource:

Osram Parathom Retro CL P 4,5W/827

Socket: E14

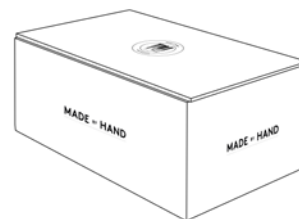
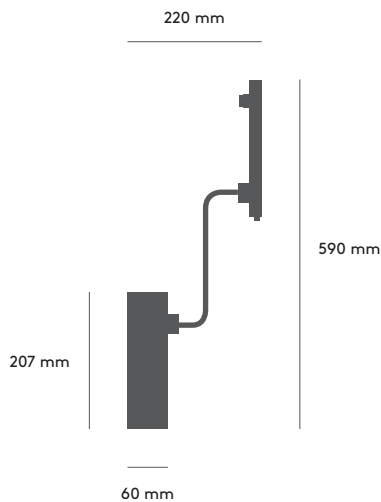
Max wattage: 60 W

Packaging Measurements

L: 290 x W: 280 x H: 610 mm

Packaging Weight (Lamp + Packaging = total)

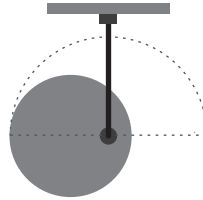
Total: 4,00 kg



PETITE MACHINE / WALL 02



Topview



The shade turns 180 degrees

The Petite Machine series is a family of table, floor, wall and ceiling lamps. They are suitable for decorating all kinds of rooms and meet all lighting needs. The Petite Machine collection is manufactured by Made By Hand in a small workshop in Denmark, with the utmost attention to detailing and finish.

Design: Flemming Lindholdt Madsen

Year: 2014

Material: Steel, brass and grooved glass

Made in Denmark

Shade and base colours



Moss Green

Slate

Deep Black

Oyster White

Light Pink

Measurements

Total height: 300 mm

Shade height: 60 mm

Base height: 22 mm

Total width: 290 mm

Shade diameter: 207 mm

Base diameter: 211 mm

Cord length: 1800 mm

Functions

Lamp shade turns 180 degrees

Pipe fixed in base

Certifications

CE-Certified

IP20

Recommended Lightsource:

Osram Parathom Retro CL P 4,5W/827

Socket: E14

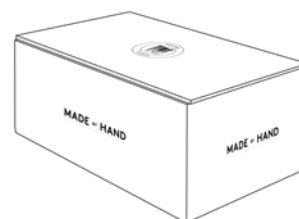
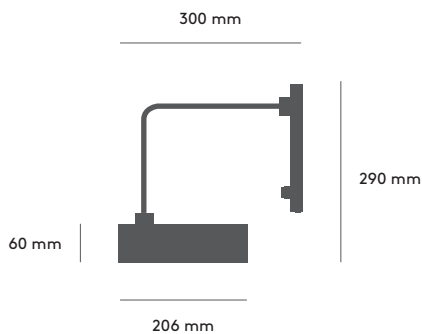
Max wattage: 60 W

Packaging Measurements

L: 270 x W: 370 x H: 410 mm

Packaging Weight (Lamp + Packaging = total)

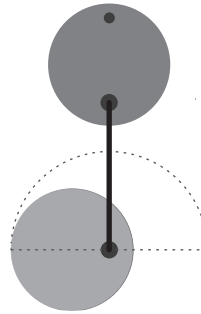
Total: 2,75 kg



PETITE MACHINE / WALL 03



Frontview



The shade turns 180 degrees

The Petite Machine series is a family of table, floor, wall and ceiling lamps. They are suitable for decorating all kinds of rooms and meet all lighting needs. The Petite Machine collection is manufactured by Made By Hand in a small workshop in Denmark, with the utmost attention to detailing and finish.

Design: Flemming Lindholdt Madsen

Year: 2014

Material: Steel, brass and grooved glass

Made in Denmark

Shade and base colours



Measurements

Total height: 590 mm

Shade height: 60 mm

Base height: 22 mm

Total width: 300 mm

Shade diameter: 207 mm

Base diameter: 211 mm

Cord length: 1800 mm

Functions

Lamp shade turns 180 degrees

Pipe fixed in base

Certifications

CE-Certified

IP20

Recommended Lightsource:

Osram Parathom Retro CL P 4,5W/827

Socket: E14

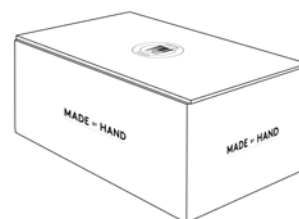
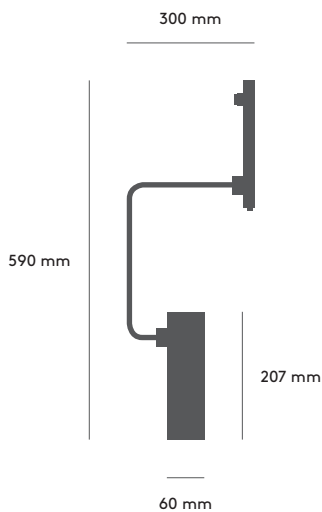
Max wattage: 60 W

Packaging Measurements

L: 290 x W: 280 x H: 610 mm

Packaging Weight (Lamp + Packaging = total)

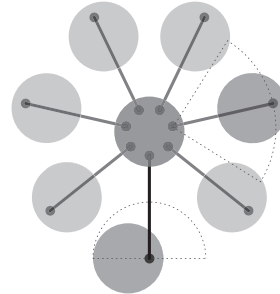
Total: 4,05 kg



PETITE MACHINE / CEILING 01



Topview



Each shade turns 180 degrees Each pipe turns 90 degrees

The Petite Machine series is a family of table, floor, wall and ceiling lamps. They are suitable for decorating all kinds of rooms and meet all lighting needs. The Petite Machine collection is manufactured by Made By Hand in a small workshop in Denmark, with the utmost attention to detailing and finish.

Design: Flemming Lindholdt Madsen
Year: 2014
Material: Steel, brass and grooved glass

Made in Denmark

Shade and base colours



Measurements

Total height: 260 mm Total width: 1180 mm
 Shade height: 60 mm Shade diameter: 207 mm
 Base height: 22 mm Base diameter: 211 mm

Cord : Hardwired

Functions - Optional

Lamp shade turns 180 degrees
 Pipe turns 90 degrees

Certifications

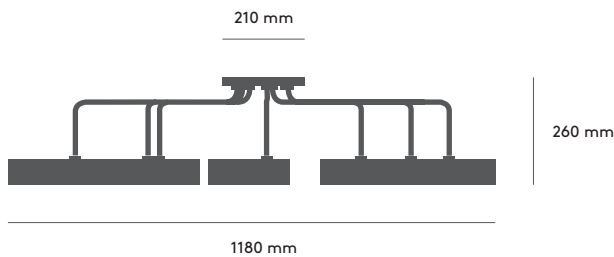
CE-Certified
 IP20

Recommended Lightsource:

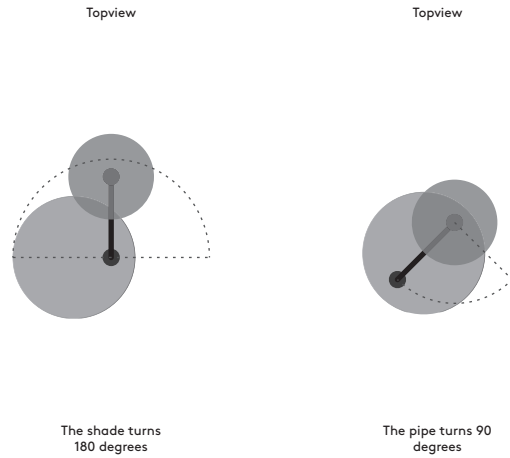
Osram Parathom Retro CL P 4,5W/827
 Socket: E14
 Max wattage: 60 W

Lamp Weight

Total: 16 kg



PETITE MACHINE / CEILING 02



The Petite Machine series is a family of table, floor, wall and ceiling lamps. They are suitable for decorating all kinds of rooms and meet all lighting needs. The Petite Machine collection is manufactured by Made By Hand in a small workshop in Denmark, with the utmost attention to detailing and finish.

Design: Flemming Lindholdt Madsen
Year: 2014
Material: Steel, brass and grooved glass

Made in Denmark

Shade and base colours



Measurements

Total height: 810 mm
 Shade height: 60 mm
 Base height: 21 mm

Total width: 240 mm
 Shade diameter: 207 mm
 Base diameter: 120 mm

Cord : Hardwired

Functions

Lamp shade turns 180 degrees
 Pipe turns 90 degrees

Certifications

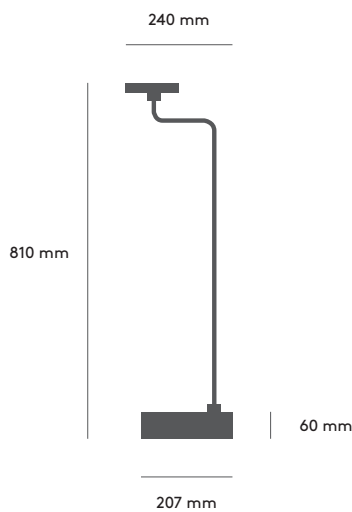
CE-Certified
 IP20

Recommended Lightsource

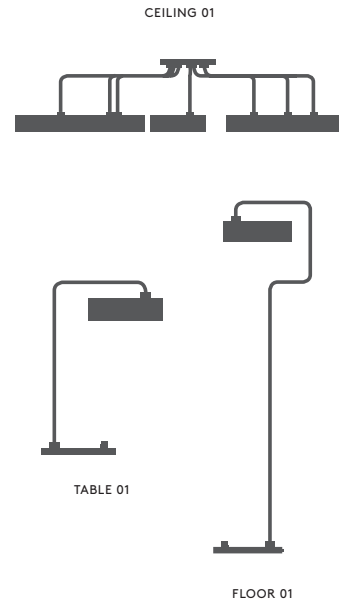
Osram Parathom Retro CL P 4,5W/827
 Socket: E14
 Max wattage: 60 W

Lamp Weight

Total: 6,1 kg



PETITE MACHINE / BRASS EDITION

**BRASS EDITION**

The exclusive all-brass edition of Petite Machine is polished to a mirrorfinish. This finish can be attained again and again over time by hand polishing.

Brass is a living material and the all-brass edition of Petite Machine will patinate in a natural way over time, giving it a slightly darker and warmer look.

Made in Denmark

MADE BY HAND

GET IN TOUCH

MADE by HAND ApS
Tømmergravsgade 4B
2450 Copenhagen SV
Denmark

info@madebyhand.dk
+45 70 20 84 64

LATEST NEWS

More at
www.madebyhand.dk

